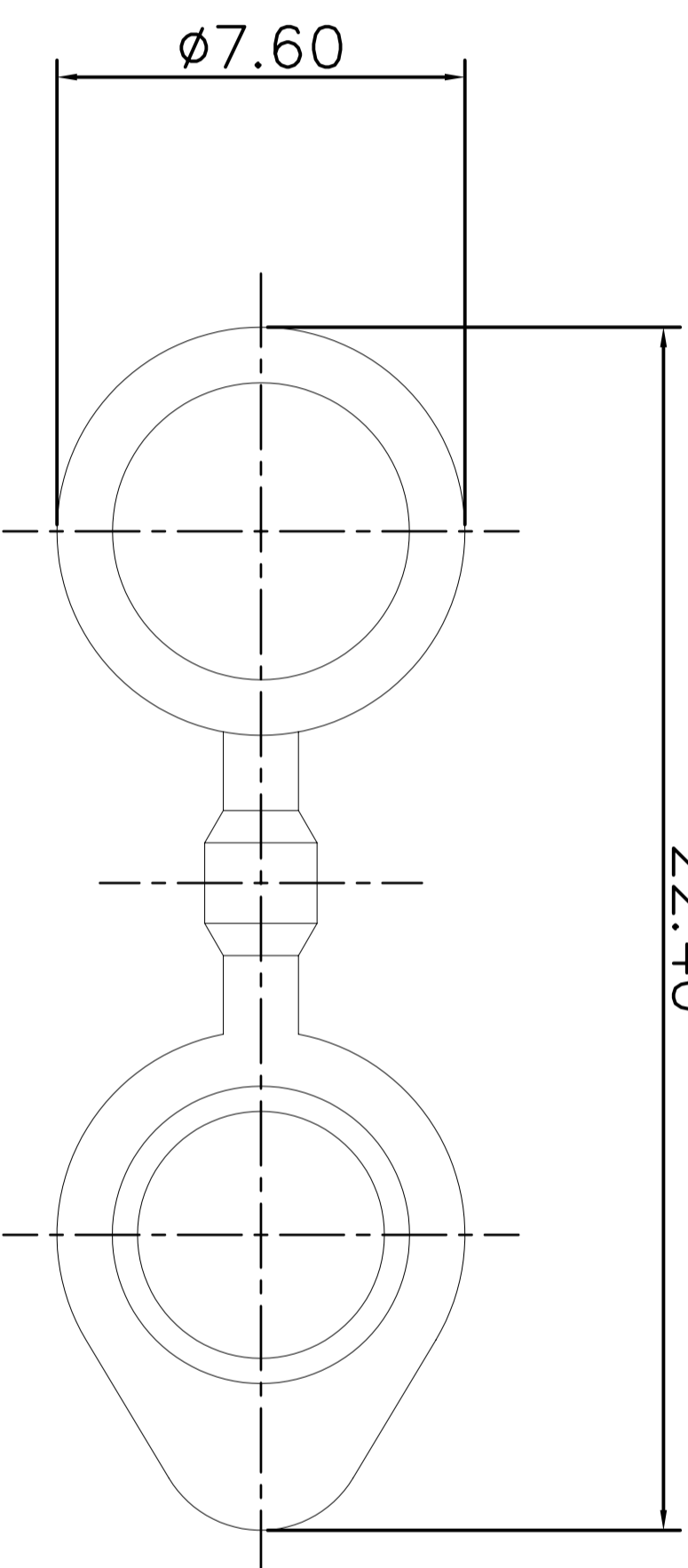
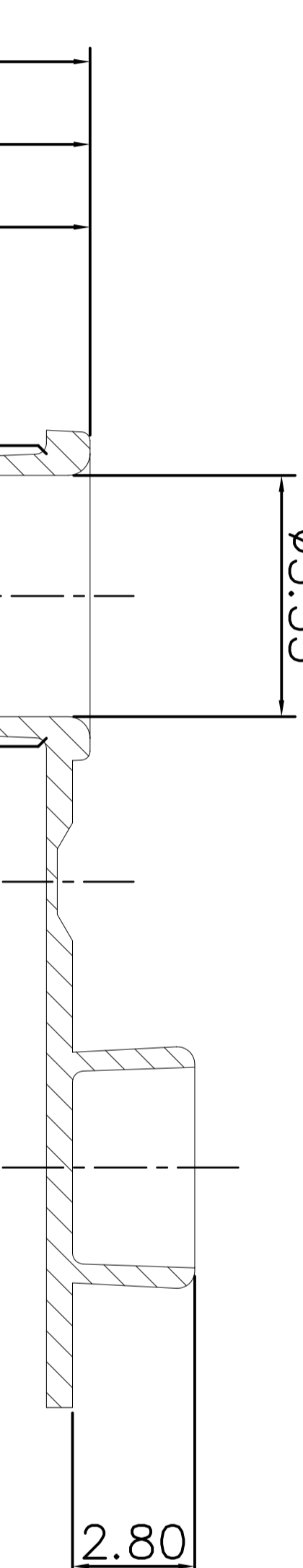


NOT TO SCALE

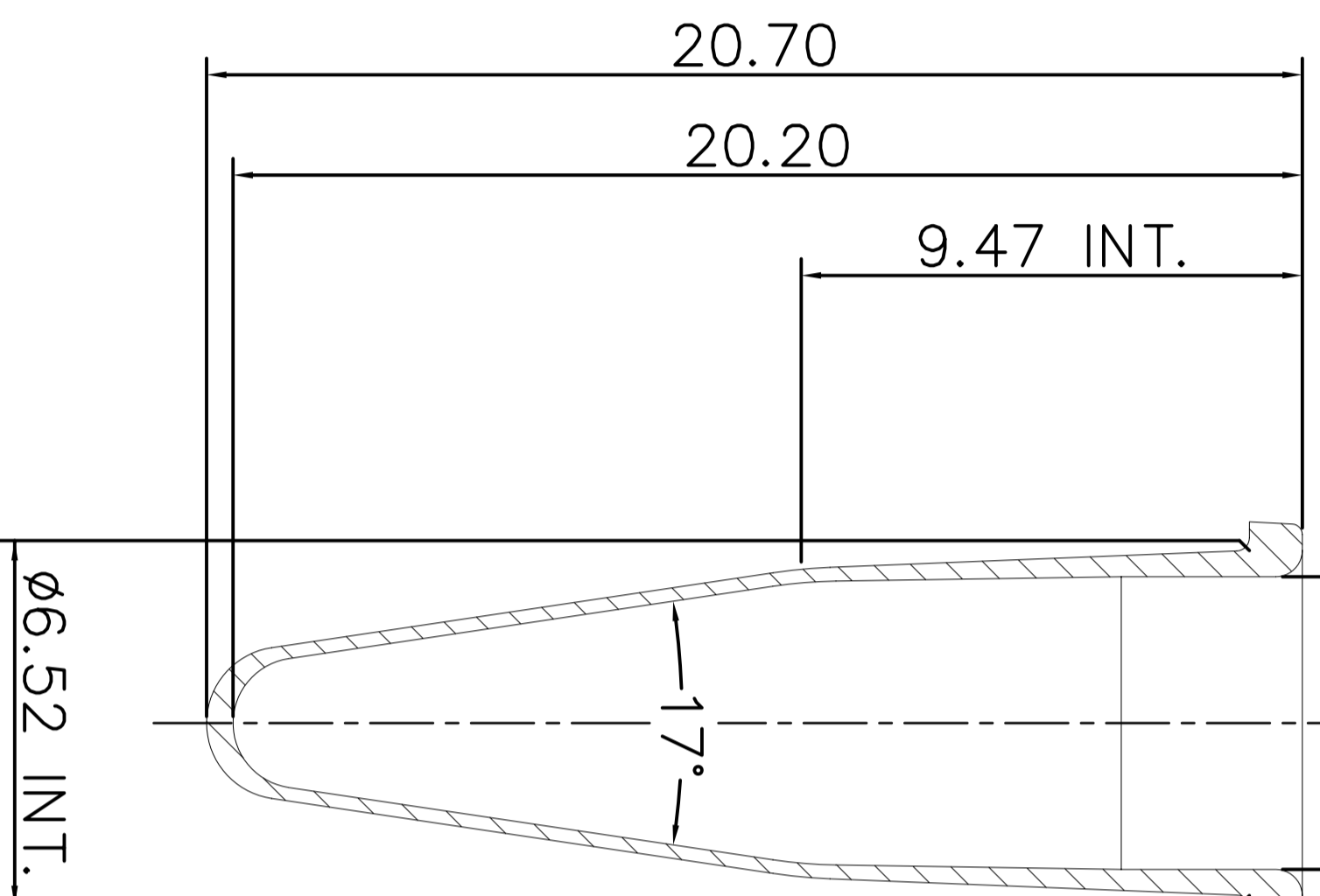
22.40



Ø5.53



SECTION ON CENTRE LINE



All dimensions in mm

Copyright ABgene®
This drawing and/or any technical information relating to it is issued in strict confidence and may not be reproduced or used for manufacture without written permission. Upon receipt of which it is the users responsibility to seek confirmation of any dimensions and production tolerances.

TITLE

0.2ml Flat Cap Tube

DRG. NO.

AB-0620

ISSUE

ORIGINAL

DATE

30/8/05