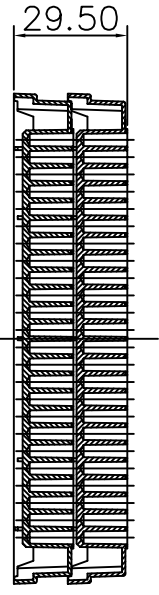
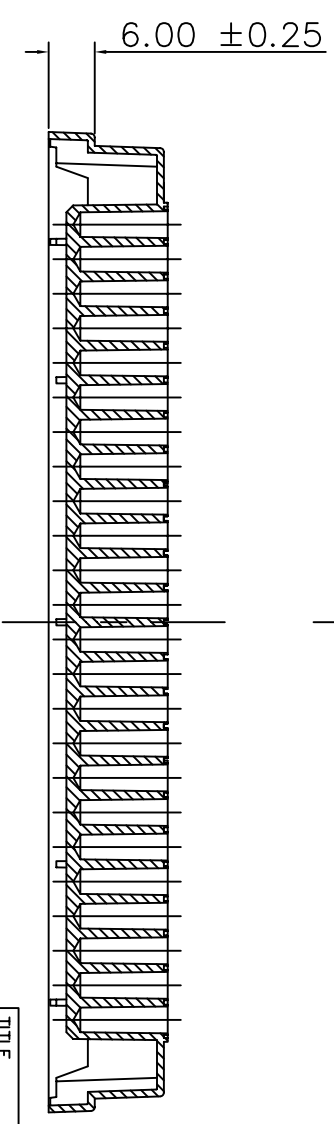
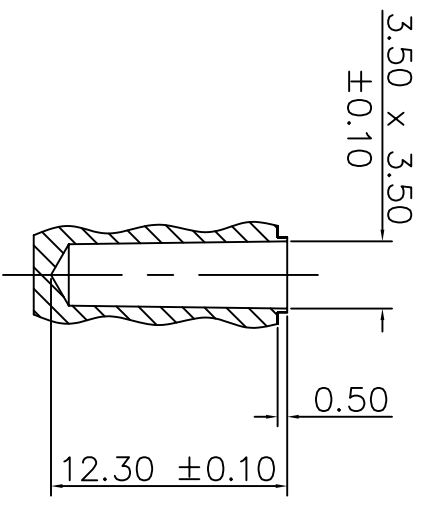
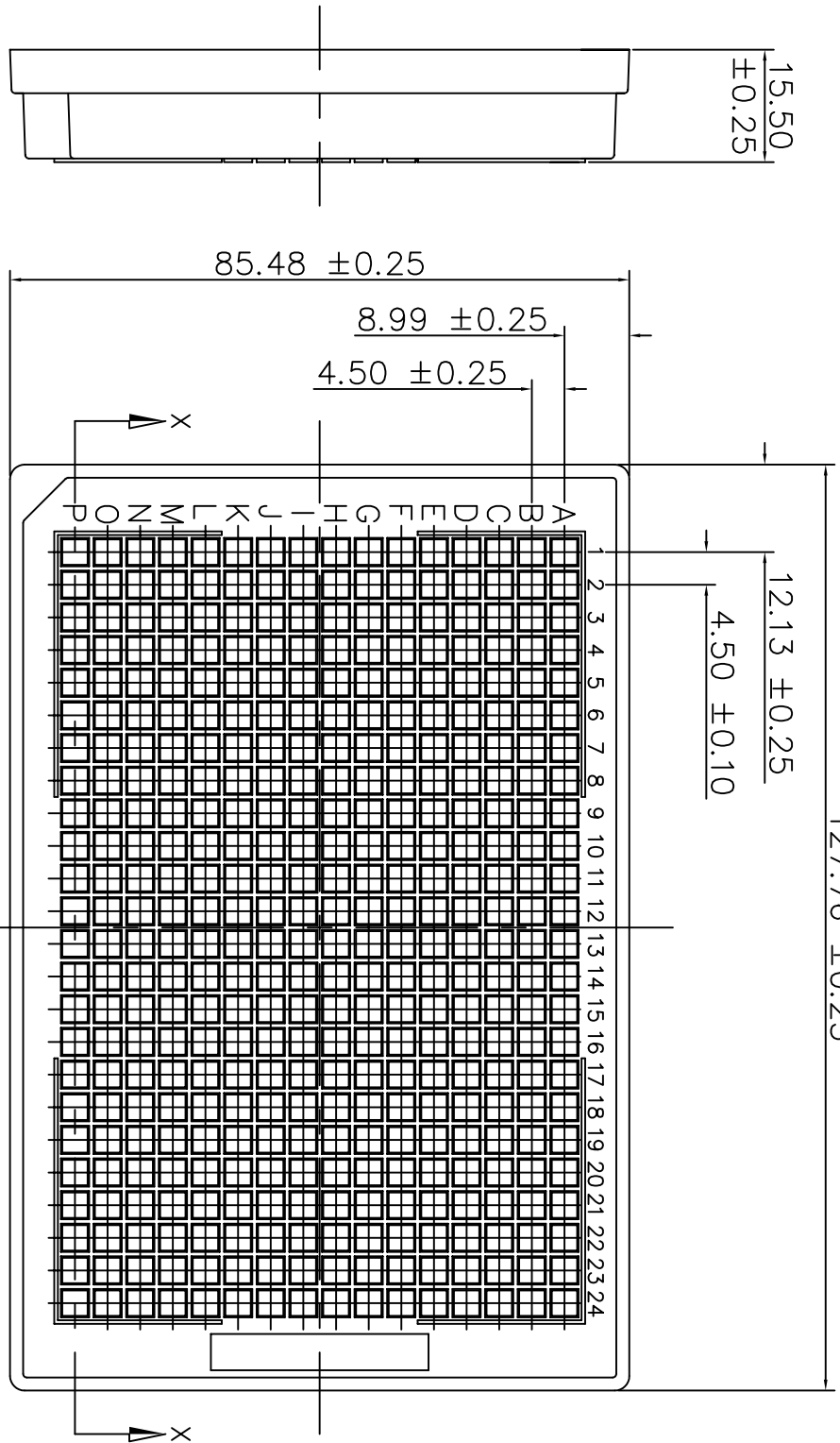


NOT TO SCALE
127.76 ±0.25

Copyright ABgene®
This drawing and/or any technical information relating to it is issued in strict confidence and may not be reproduced or used for manufacture without written permission. Upon receipt of which it is the users responsibility to seek confirmation of any dimensions and production tolerances.



All dimensions in mm

SECTION X-X

TITLE

384-Well Storage Plate

DRG. NO.	ISSUE	DATE
AB-0781	G	7/5/02