

NOT TO SCALE

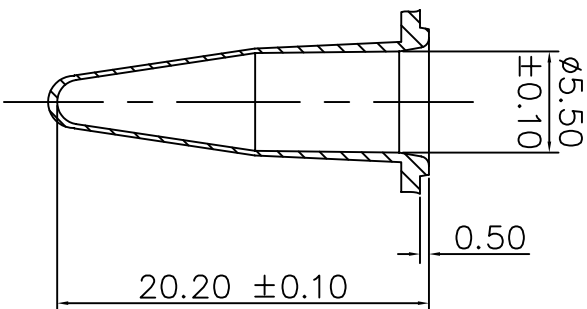
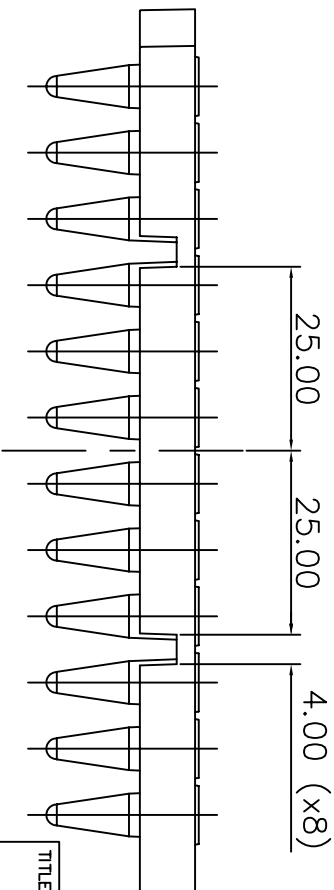
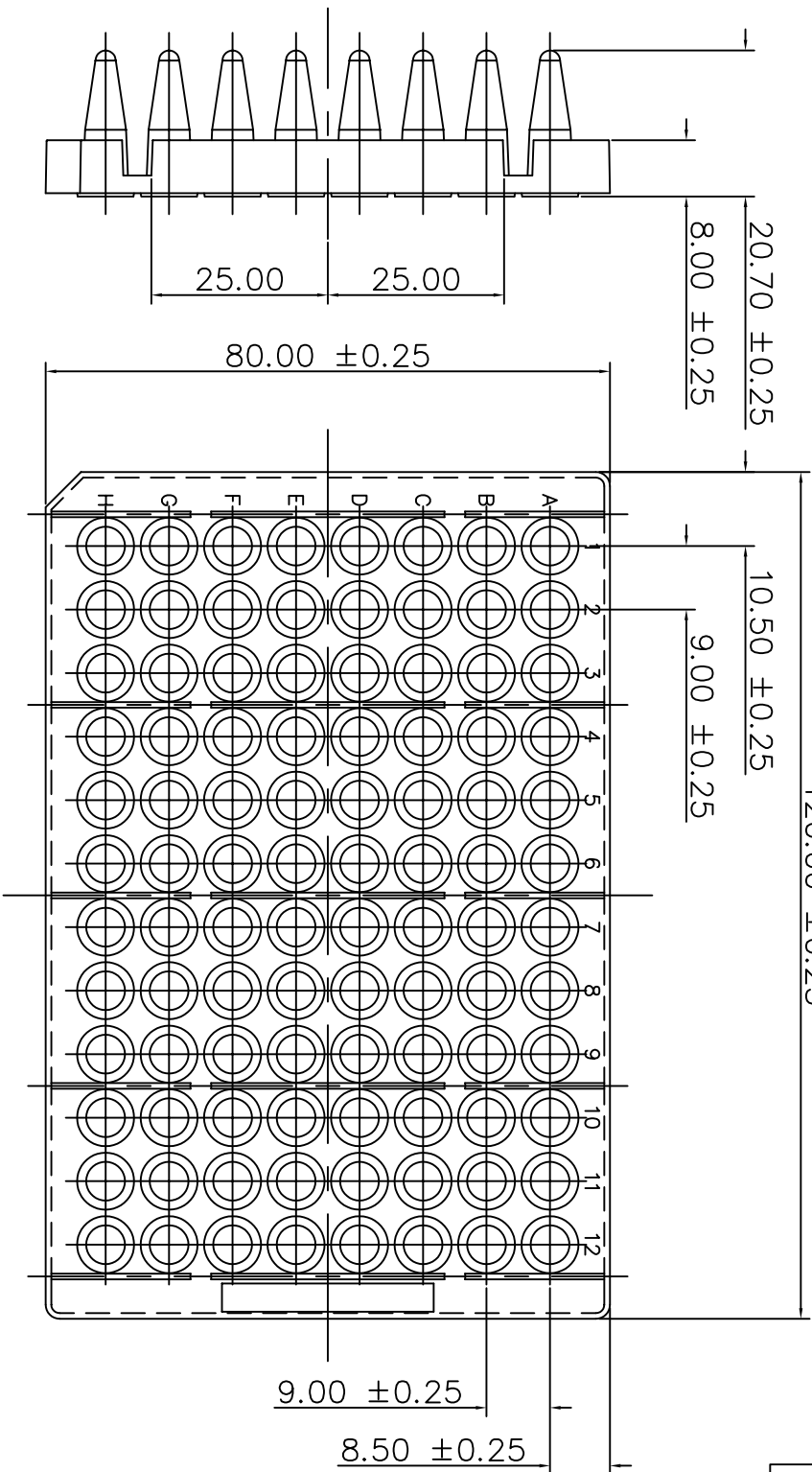
120.00 ±0.25

10.50 ±0.25

9.00 ±0.25

20.70 ±0.25

8.00 ±0.25



VIAL FORM 96pos

Copyright ABgene®  
This drawing and/or any technical information relating to it is issued in strict confidence and may not be reproduced or used for manufacture without written permission. Upon receipt of which it is the user's responsibility to seek confirmation of any dimensions and production tolerances.

All dimensions in mm

TITLE

Thermo-Fast® 96,  
Semi-Skirted PCR Plate

DRG. NO.

AB-0900

ISSUE

D

DATE

7/5/02