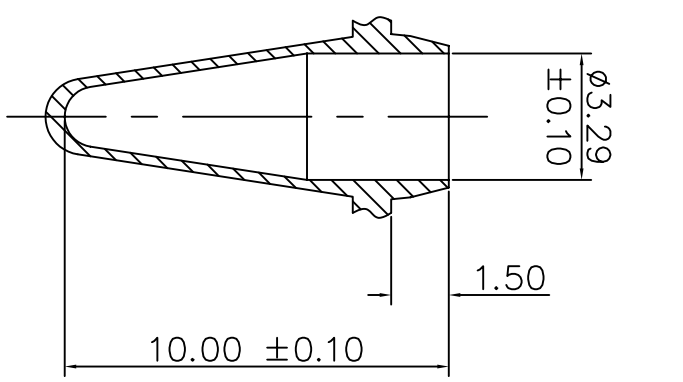
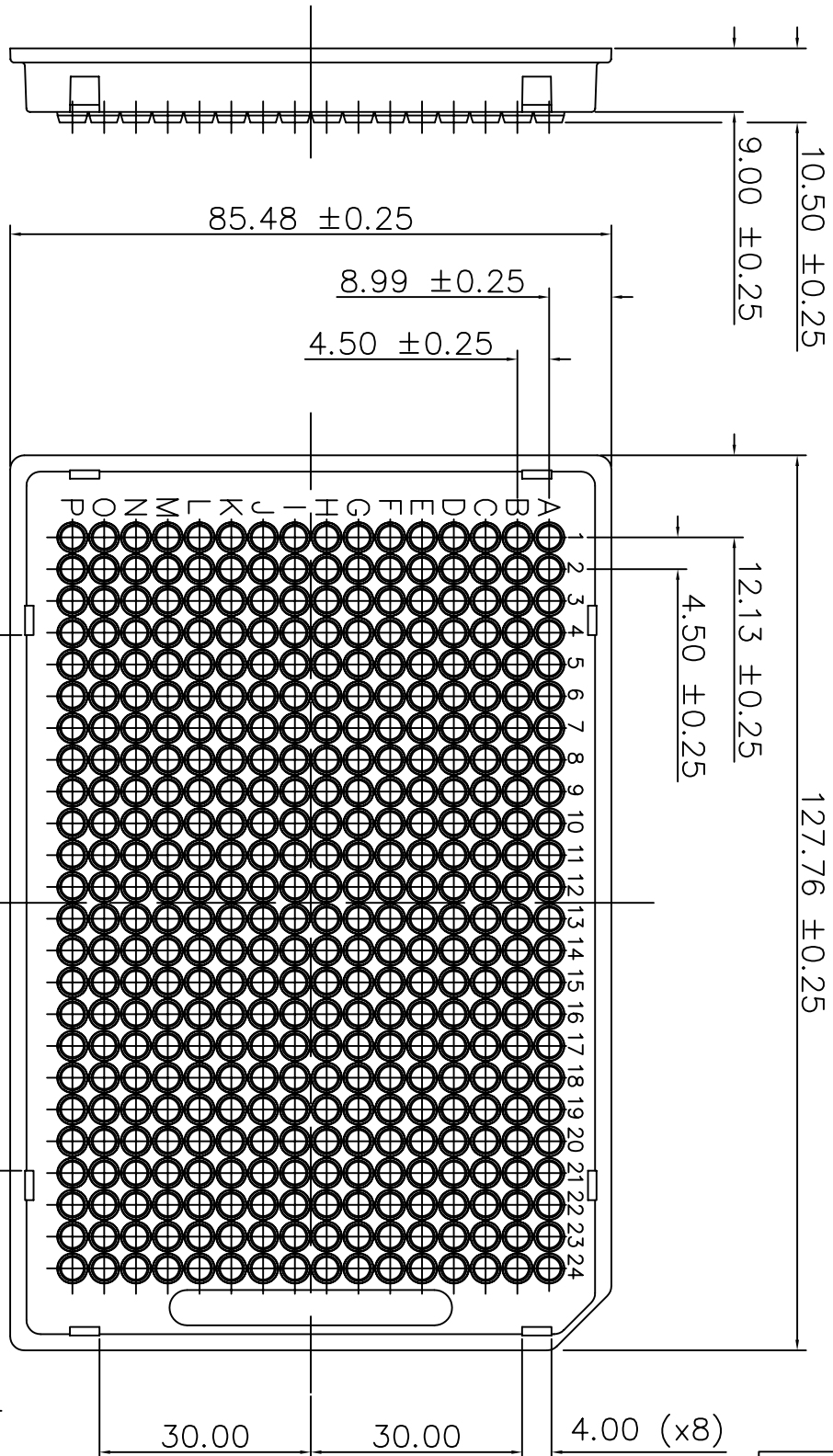
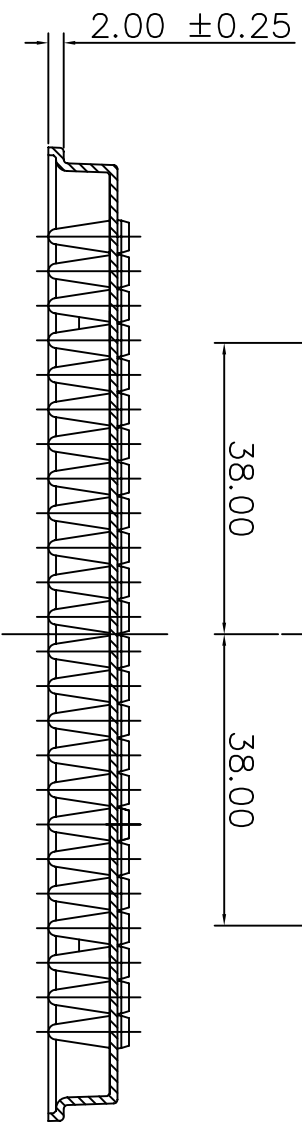


NOT TO SCALE
127.76 ±0.25

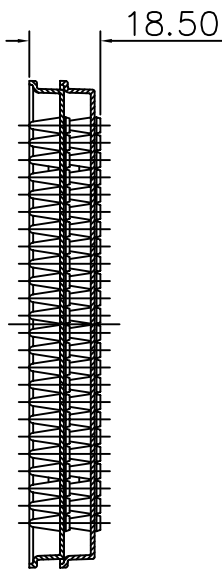
Copyright ABgene®
This drawing and/or any technical information relating to it is issued in strict confidence and may not be reproduced or used for manufacture without written permission. Upon receipt of which it is the users responsibility to seek confirmation of any dimensions and production tolerances.



VIAL FORM 384pos



SECTION ON CENTRE LINE



PLATES STACKED

All dimensions in mm

TITLE		
Thermo-Fast® 384 PCR Plate (TC 55µl well volume)		
DRG. NO.	ISSUE	DATE
AB-0937	ORIGINAL	7/11/02