

NOT TO SCALE

120.00 ±0.25

20.70 ±0.25

8.00 ±0.25

10.50 ±0.25

9.00 ±0.25

80.00 ±0.25

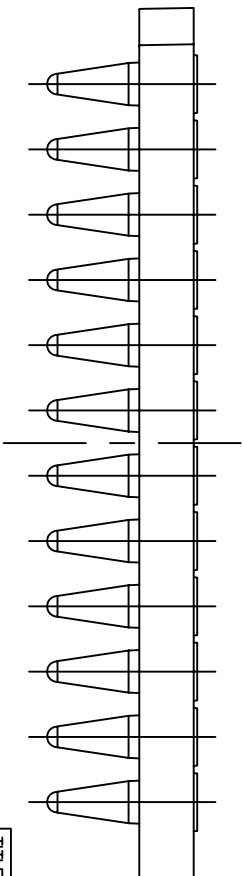
9.00 ±0.25

8.50 ±0.25

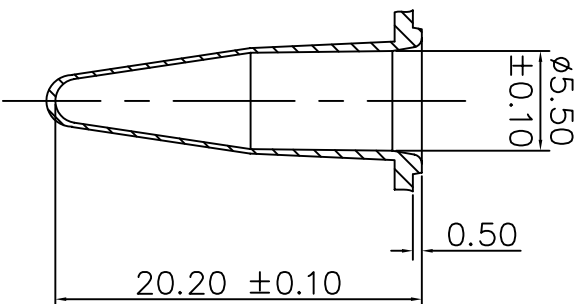
4.00 (x4)

25.00

25.00



VIAL FORM 96pos



Copyright ABgene®
This drawing and/or any technical information relating to it is issued in strict confidence and may not be reproduced or used for manufacture without written permission. Upon receipt of which it is the users responsibility to seek confirmation of any dimensions and production tolerances.

TITLE
Thermo-Fast® 96, Ultra Rigid
Semi-Skirted PCR Plate

DRG. NO. AB-0990
ISSUE D
DATE 7/5/02

All dimensions in mm