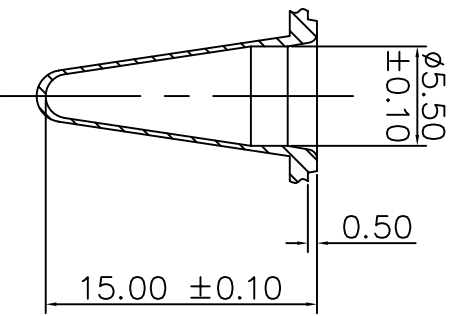
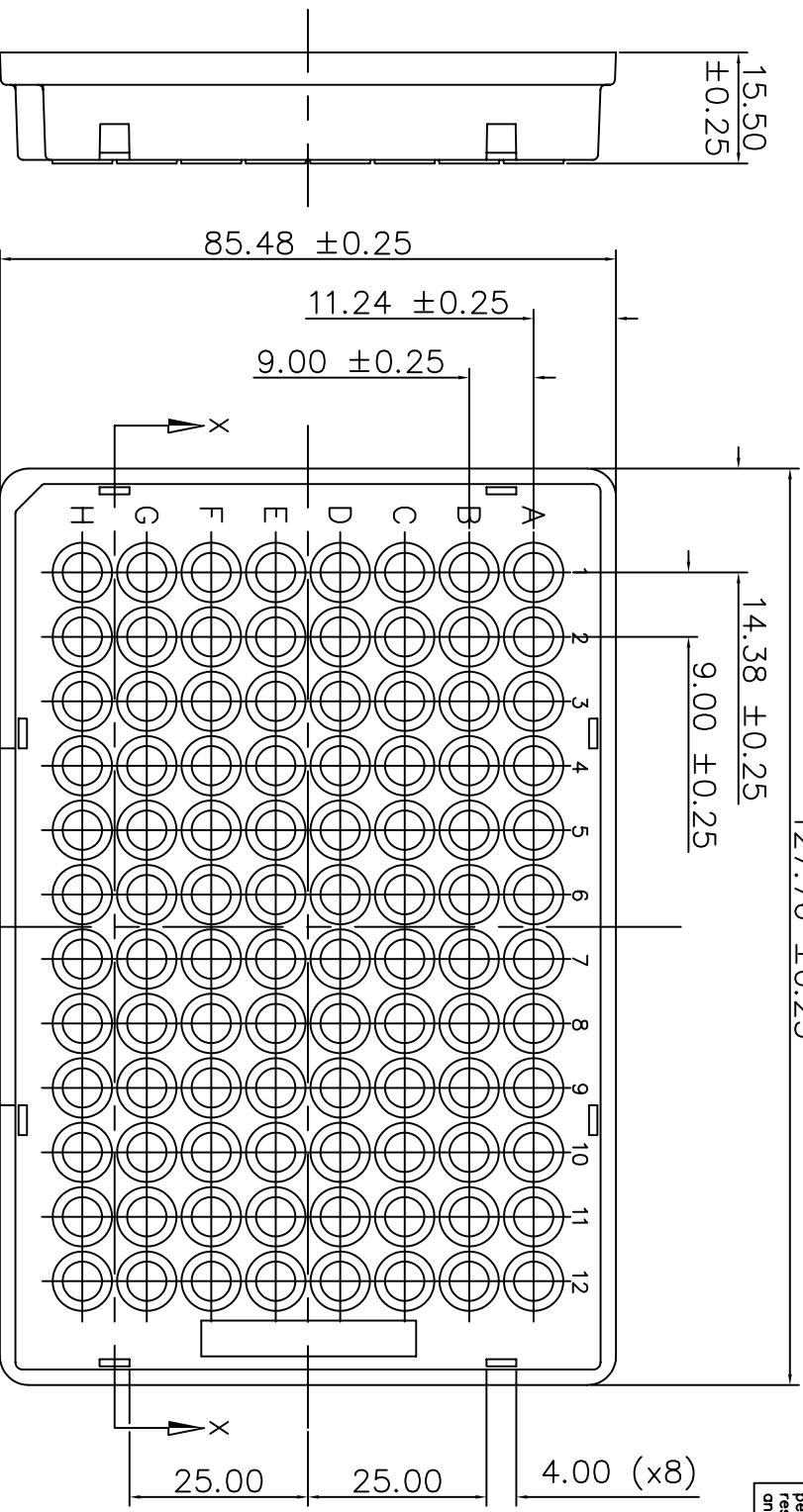
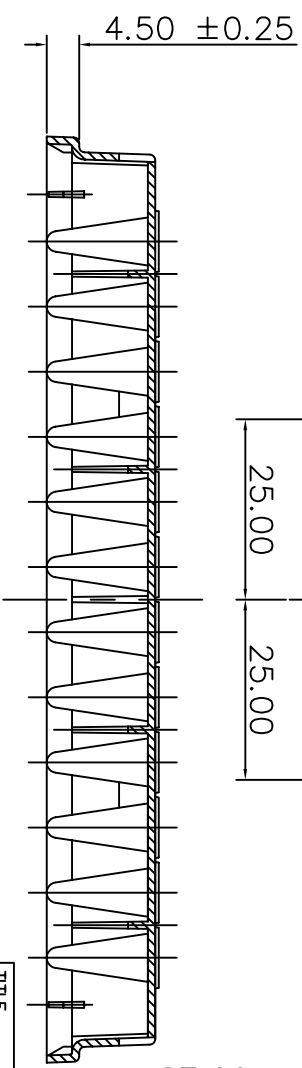


NOT TO SCALE
127.76 ±0.25

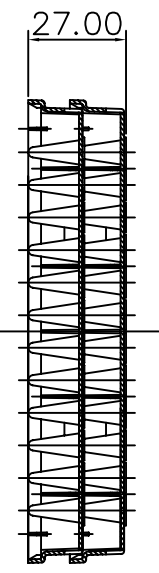
Copyright Abgene®
This drawing and/or any technical information relating to it is issued in strict confidence and may not be reproduced or used for manufacture without written permission. Upon receipt of which it is the users responsibility to seek confirmation of any dimensions and production tolerances.



VIAL FORM 96pos



SECTION X-X



PLATES STACKED

All dimensions in mm

TITLE		
Thermo-Fast® 96, Ultra Rigid Skirted PCR Plate		
DRG. NO.	ISSUE	DATE
AB-1000	ORIGINAL	7/11/02