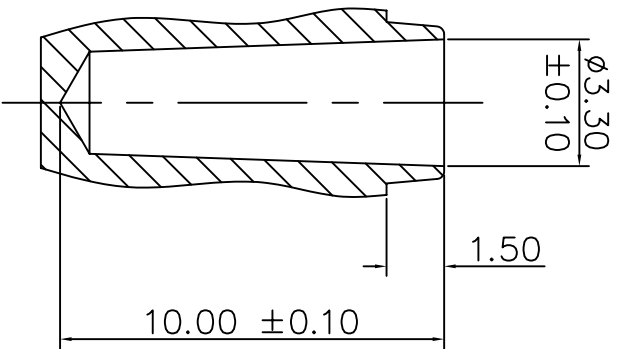
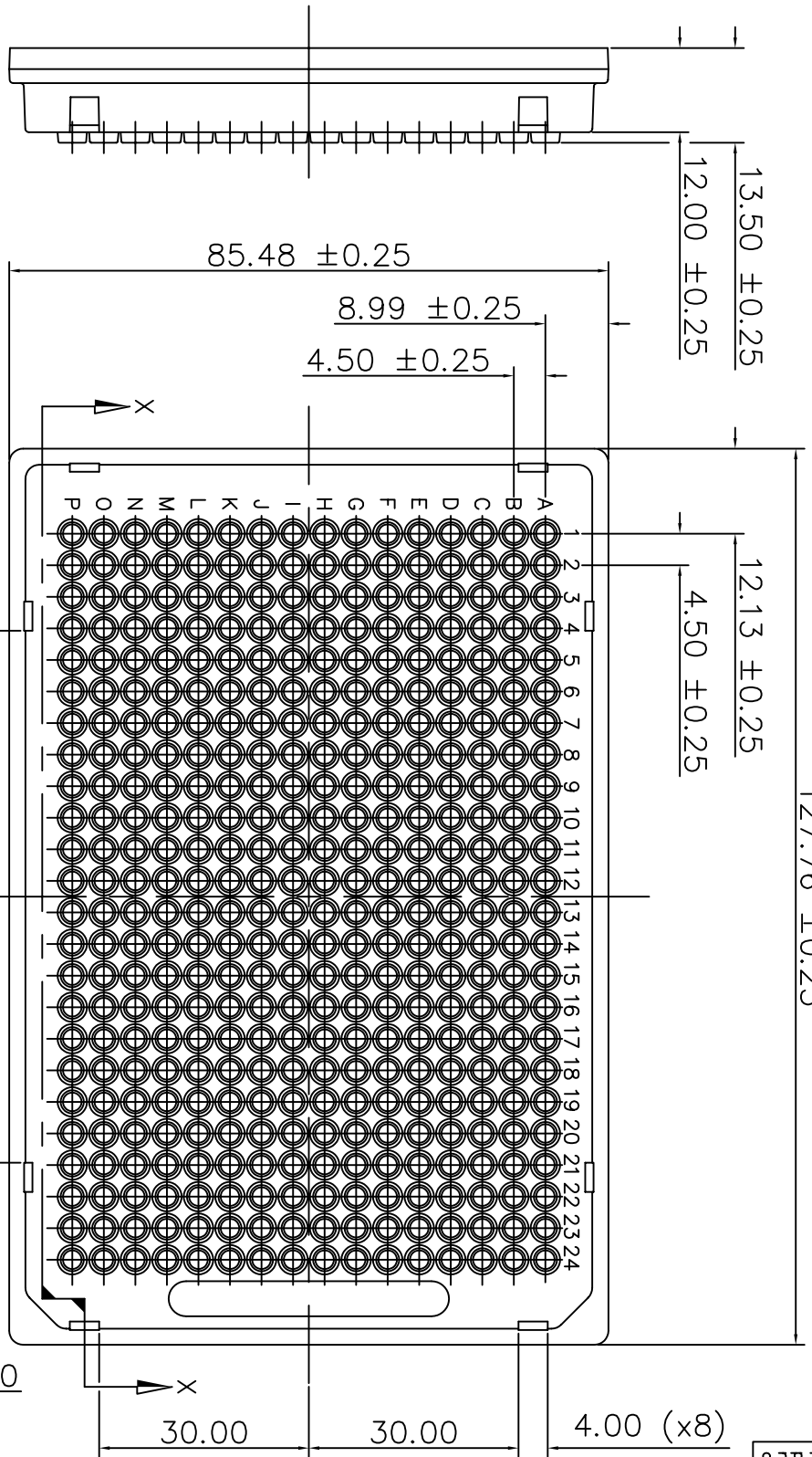
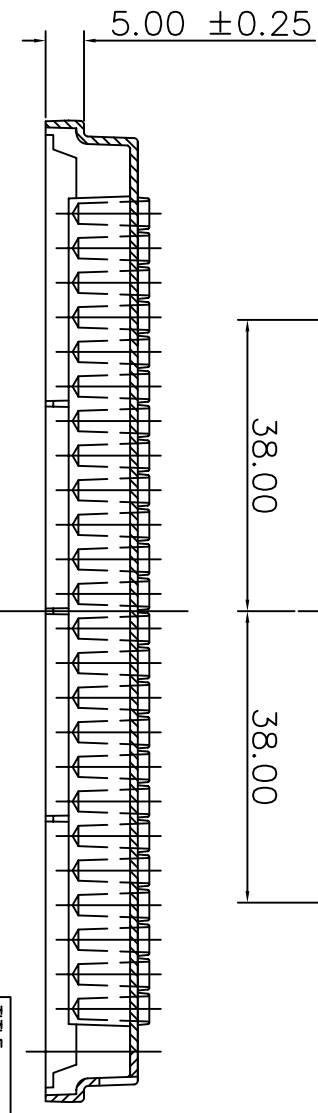


NOT TO SCALE
127.76 ±0.25

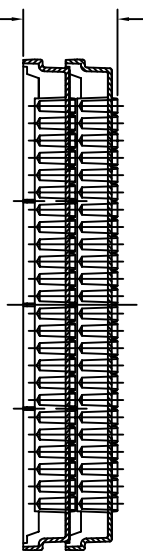
Copyright ABgene®
This drawing and/or any technical information relating to it is issued in strict confidence and may not be reproduced or used for manufacture without written permission. Upon receipt of which it is the users responsibility to seek confirmation of any dimensions and production tolerances.



VIAL FORM 384pos



PLATES STACKED



All dimensions in mm

SECTION X-X

TITLE			
384--Well Microarray Plate, Cylindrical Wells			
DRG. NO.	ISSUE	DATE	
AB-1055	B	11/6/02	