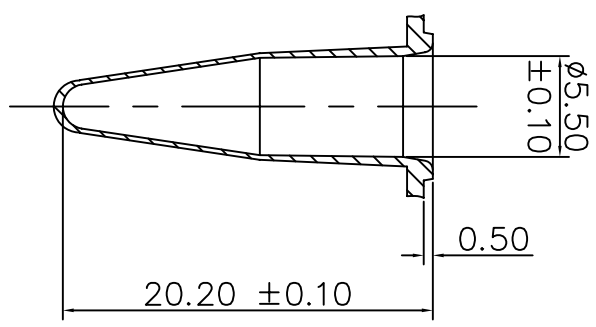
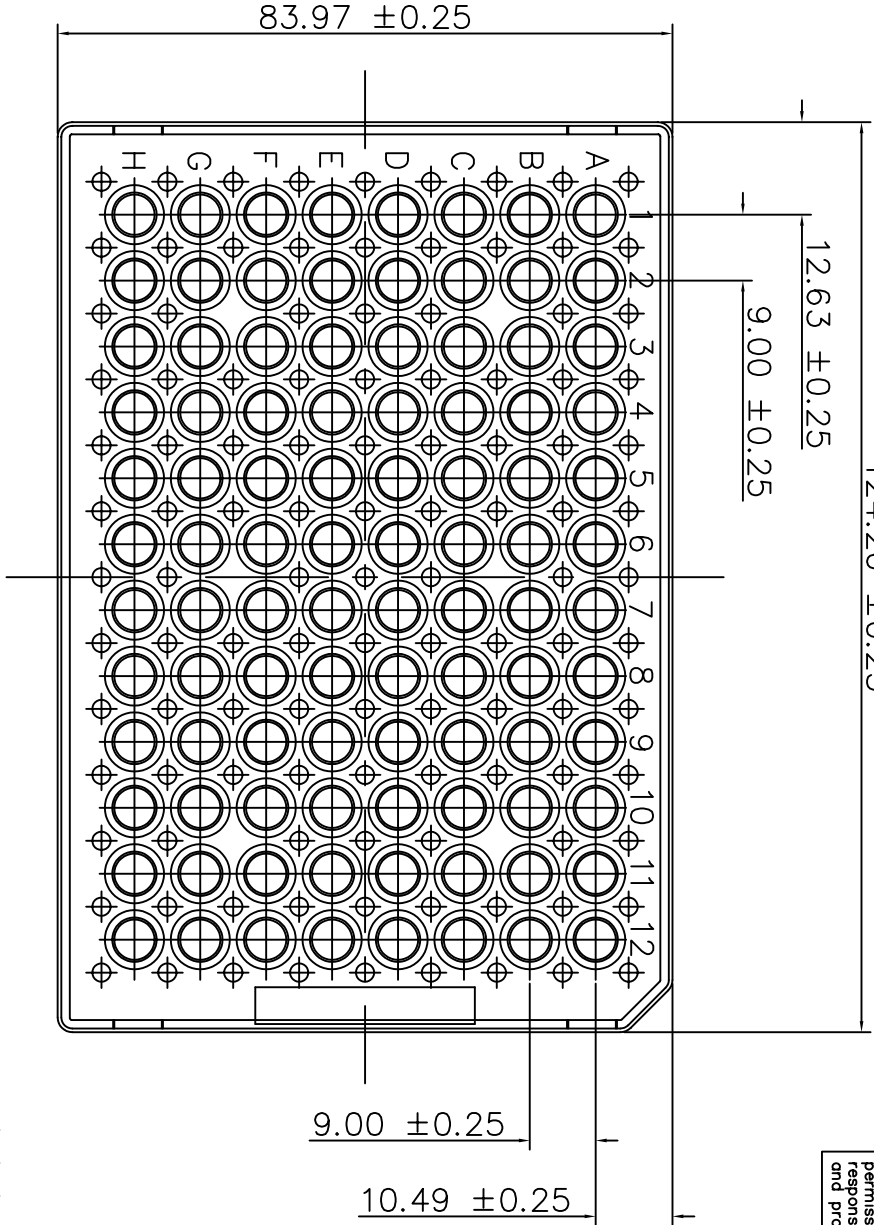
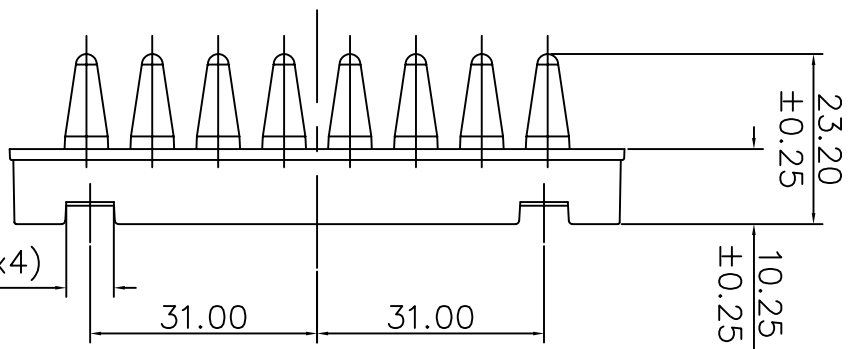
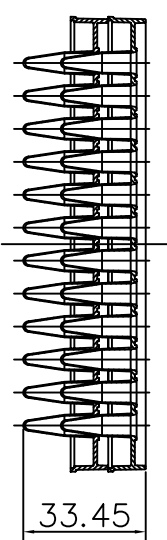
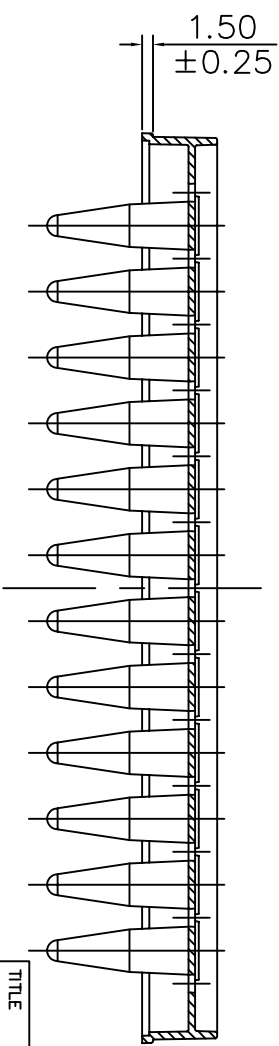


NOT TO SCALE
124.26 ±0.25

Copyright Abgene®
This drawing and/or any technical information relating to it is issued in strict confidence and may not be reproduced or used for manufacture without written permission. Upon receipt of which it is the users responsibility to seek confirmation of any dimensions and production tolerances.



VIAL FORM 96pos



PLATES STACKED

SECTION ON CENTRE LINE

TITLE

Thermo-Fast® 96,
PCR Detection Plate

DRG. NO.	ISSUE	DATE
AB-1100	E	11/6/02

All dimensions in mm