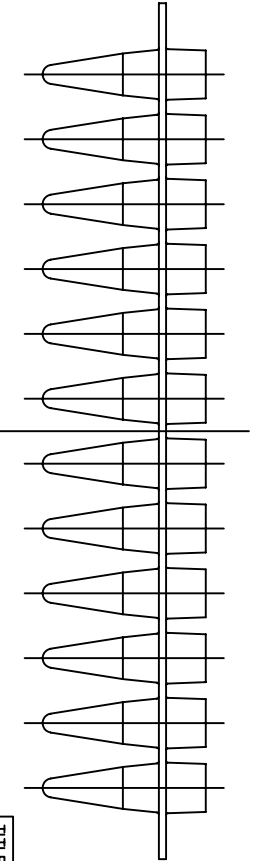
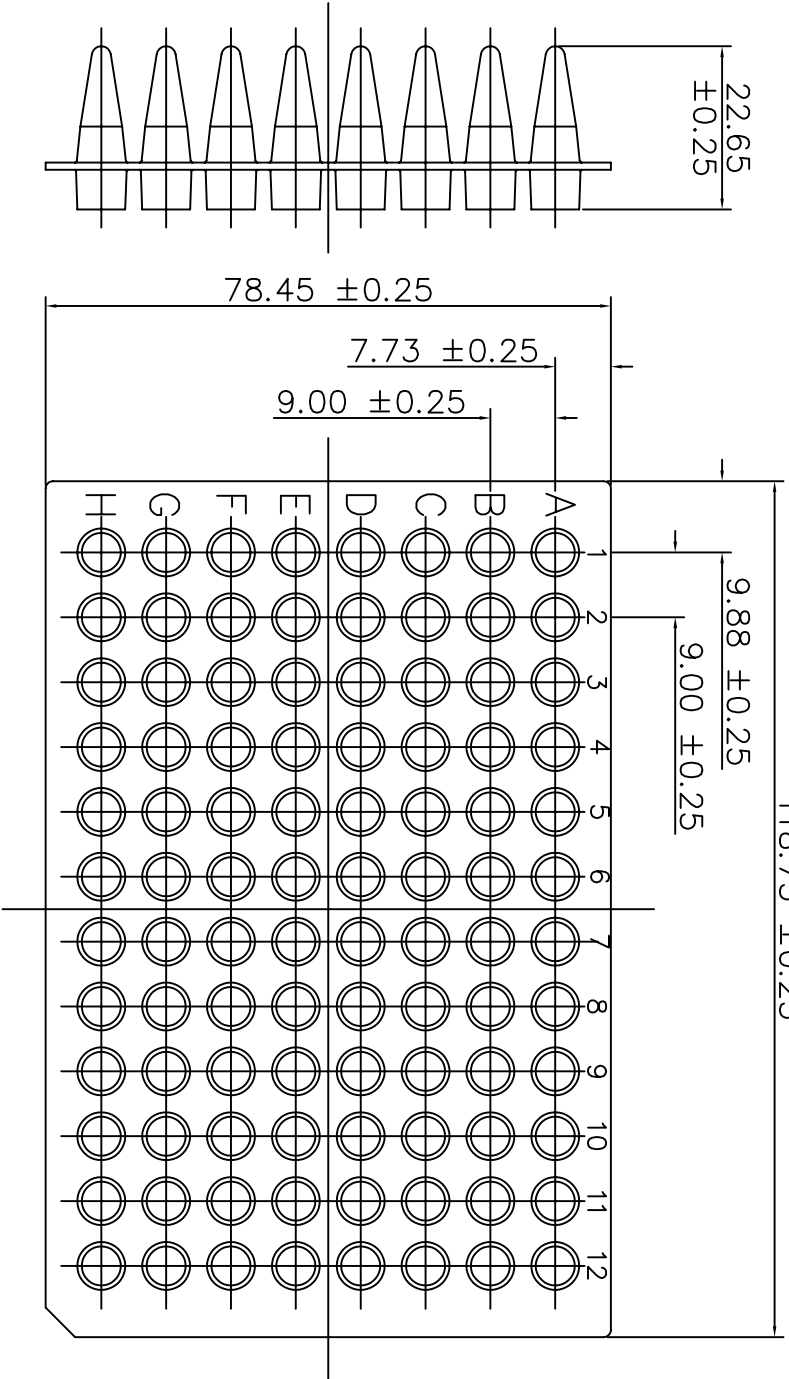
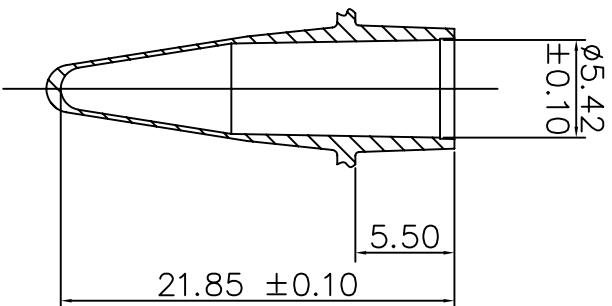


NOT TO SCALE

118.75 ±0.25



Copyright ABgene®  
This drawing and/or any technical information relating to it is issued in strict confidence and may not be reproduced or used for manufacture without written permission. Upon receipt of which it is the users responsibility to seek confirmation of any dimensions and production tolerances.



VIAL FORM 96pos

TITLE

96-Well PCR CyclePlate®

DRG. NO.

AB-1243

ISSUE

ORIGINAL

DATE

19/4/04

All dimensions in mm