

NOT TO SCALE

127.76 ±0.25

99.00 ±0.25

17.00
±0.25

7.40

14.38 ±0.25

9.00

30.40

30.40

85.48 ±0.25

63.00 ±0.25

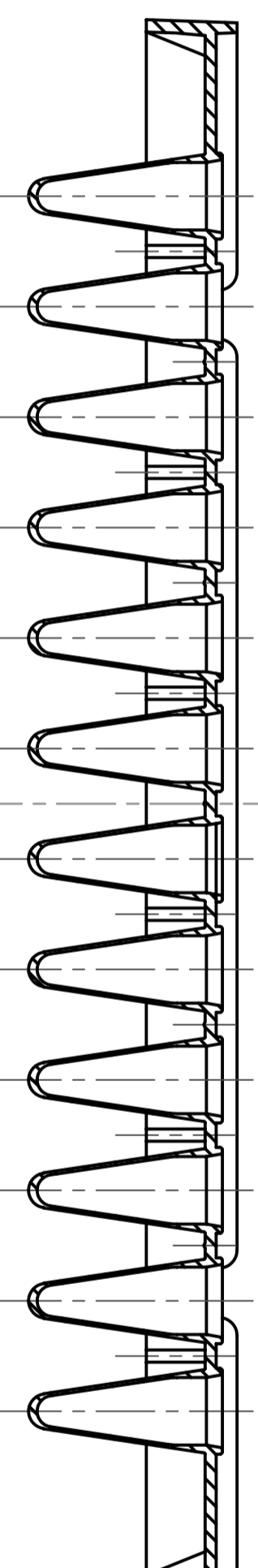
11.24 ±0.25

9.00

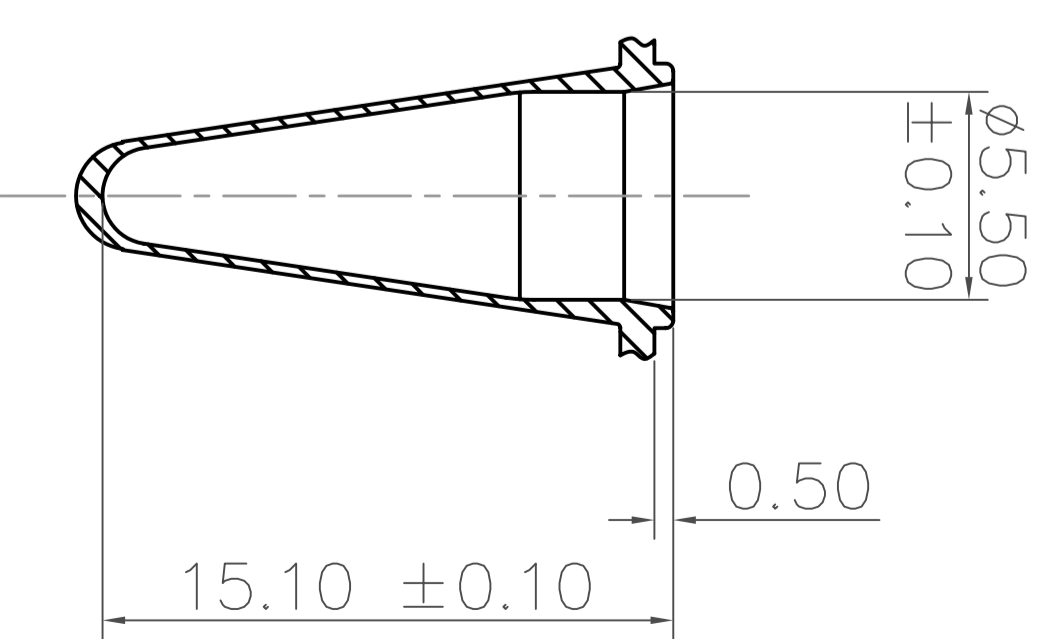
4.00 (x8)

37.85

37.85



SECTION X-X



VIAL FORM 96pos

Copyright ABgene®
This drawing and/or any technical information relating to it is issued in strict confidence and may not be reproduced or used for manufacture without written permission. Upon receipt of which it is the users responsibility to seek confirmation of any dimensions and production tolerances.

TITLE

AB-1900 Fast Plate

DRG. NO.

AB-1900

ISSUE

ORIGINAL

DATE

20/2/06

All dimensions in mm